

# intelligent LCD display

4...20 mA and 2 PNP outputs

## MPS.AK.04..



### Description

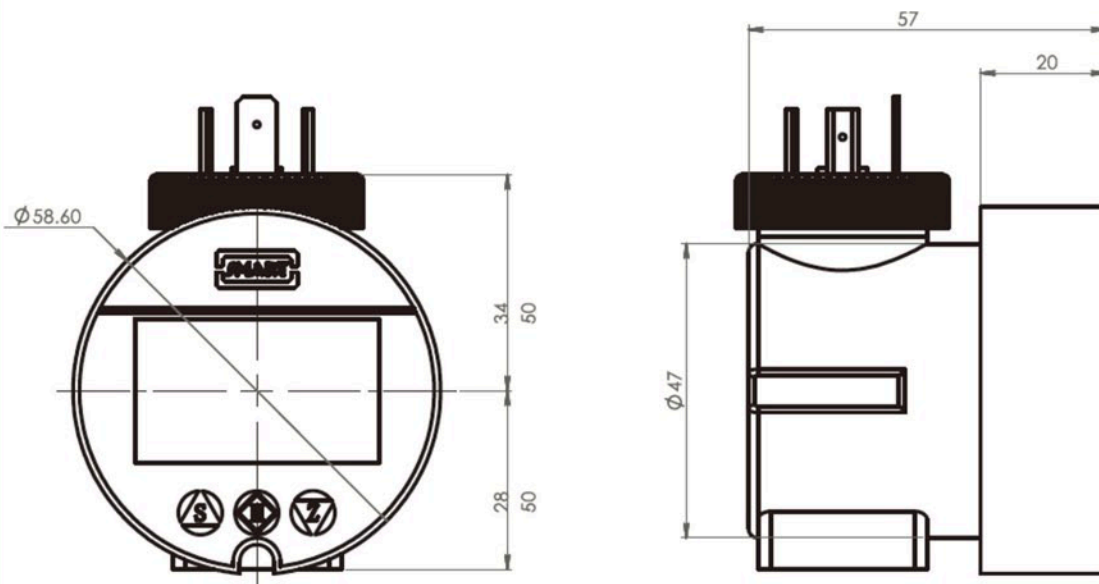
The MPS.AK.04 series, 2-wire loop powered display is fit for all of pressure, differential pressure, flow, PH, temperature, acceleration and more. The LCD backlight display can be visible in dark environments.

LCD schedule shows the value measured in real time, and it will flash to alarm. The three button feature allows the user to program the zero, span, unit, decimal digits, damping and alarm point. Instead of the potentiometer, no additional power supply is required.

### Features

- Compact Design
- User Friendly Software
- 4-20 mA and 2 PNP output
- Wide Measuring Range
- Selectable Units
- Various Wiring Connections
- 5 Digits LCD Display

### Dimensions



# MPS.AK.04..

## Analogue signal

Standard 2wire: 4-20mA

## Power supply

2-wire-system Supplied by current loop, (series connection) ; voltage drop  $\leq V_{drop}$ ;  $V_s = (V_{tmax} - V_{tmin}) + V_{drop}$ ,  $V_T$  is the power voltage of the transmitter;  $V_{drop}$  is the circuit voltage drop: without backlight is 6V, with backlight is 8V.

## Contact (optional)

Number, types 2 independent PMOS output  
 Switching performance  $V_{switch} = V_s - 2V$ ; contact rating max.120mA, short-circuit protection  
 Repeatability  $\leq \pm 0.1\% FSO$   
 Switching frequency Highest 10Hz  
 Switching cycles  $> 100 \times 10^6$   
 Delay time 0-255ms

## Miscellaneous

Electrical protection Reverse polarity protection (No damage, but also no function) ; electromagnetic compatibility (emission and immunity according to EN61326) ; short-circuit protection; ingress protection IP65; lightning surge level 4 (2KA, 4KV).

Display Double row 5-digit/8-digit, 7-segment/16-segment LCD display; range of indication: -19999-+99999; accuracy:  $0.1\% \pm 1$  digit

Permissible temperatures Electronics/environment: -25-80°C

Material of display housing PA6.6, Polycarbonate

Mechanical stability Anti-vibration: 5gRMS (20-200Hz) Anti-shock: 100g/11ms

Electrical Connection MPS.AK.04D ; DIN43650A MPS.AK.04P ; M12 5 pin connector