

# Partial-Filled Pipe Electromagnetic Flowmeter

## EMDE-PF



LIQUID



## OVERVIEW

### Operation

EMDE-PF Partial-filled Pipe Electromagnetic Flow Meter is a transducer that measures fluid flow by the voltage induced across the liquid by its flow through a magnetic field.

### Application

- Waste water, Rainwater
- Irrigation
- Sewage

### Features

- Suitable for low flow rate conductive liquid
- Measurement possible down to 10% filling of pipe
- High accuracy
- Durable stable
- Small blind zone 60mm
- Anti interference
- No pressure loss
- No need to close pipe installation
- Continuous measurement
- Can measure circle tube, square tube etc.

## OPERATING DATA

<b>Measuring Pipe Size</b>	DN200-DN3000
<b>Accuracy</b>	2.5%
<b>Structure Type</b>	Remote Type
<b>Pipe Shape</b>	Can measure, Circle tube, Square tube etc.
<b>Application Material</b>	Cement, Carbon steel, SS304 pipe,etc

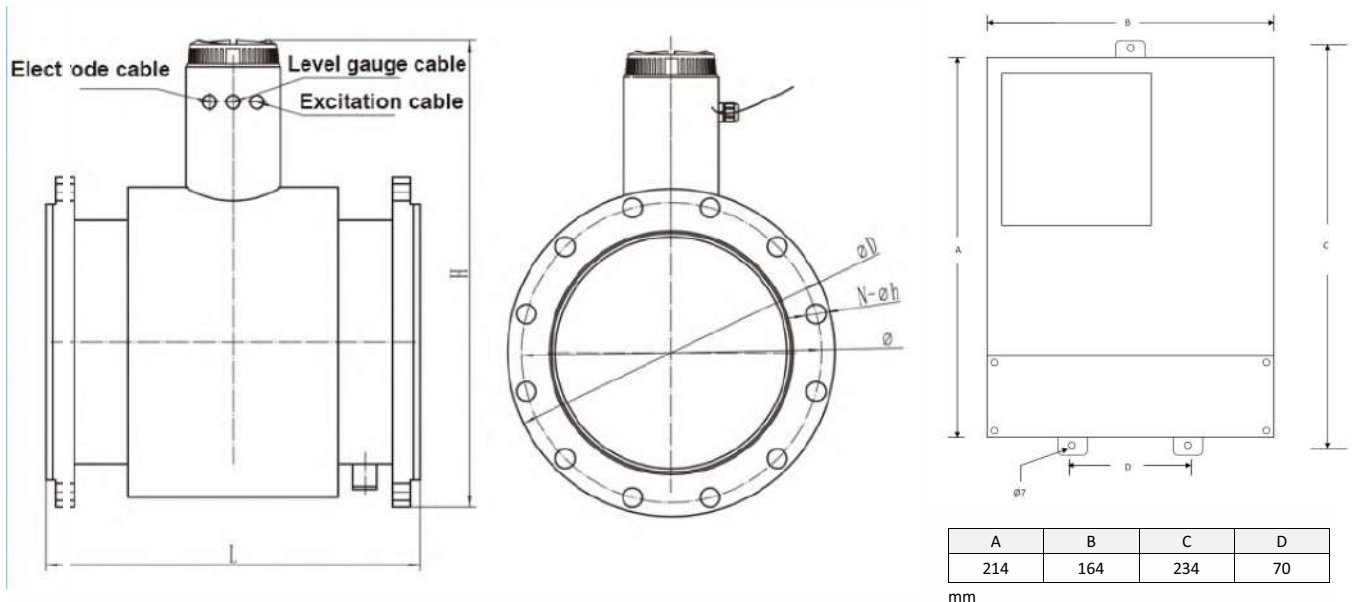
## MEASURING RANGES

<b>Flow Velocity Range</b>	0.05-10 m/s
----------------------------	-------------

## MATERIALS

<b>Liner Material</b>	Neoprene/Polyurethane
<b>Electrode Material</b>	SS316, TI, TA, HB, HC

## TECHNICAL DRAWINGS AND DIMENSIONS



A	B	C	D
214	164	234	70

mm

Diameter (mm)	Nominal Pressure	L (mm)	H	øA	øK	N-øh	Code
Dn200	0.6	400	494	320	280	8-ø18	201
DN250	0.6	450	561	375	335	12-ø18	251
DN300	0.6	500	623	440	395	12-ø22	301
DN350	0.6	550	671	490	445	12-ø22	351
DN400	0.6	600	708	540	495	16-ø22	401
DN450	0.6	600	778	595	550	16-ø22	451
DN500	0.6	600	828	645	600	20-ø22	501
DN600	0.6	600	934	755	705	20-ø26	601
DN700	0.6	700	1041	860	810	24-ø26	701
DN800	0.6	800	1149	975	920	24-ø30	801
DN900	0.6	900	1249	1075	1020	24-ø30	901
DN1000	0.6	1000	1359	1175	1120	24-ø30	102

\*With DIN Flange

## ■ CONNECTION

**Standart** Flanged (PN6, PN10, PN16)

## ■ ELECTRICAL DATA

<b>Output</b>	4...20 mA and pulse 4-20 mA and RS232C 4-20 mA and RS485C 4-20 mA and HART
<b>Power Supply</b>	24V DC, 12 V, 220VAC 50 Hz
<b>Enclosure</b>	
<b>Converter</b>	IP65
<b>Flow Sensor</b>	IP65 (Standard) IP68 on request

## ■ COMMUNICATION

<b>Protocol</b>	Modbus-RTU RS232/RS485 HART
-----------------	--------------------------------

## ■ DISPLAY

- Big screen LCD backlight display
- Multiple data display Flow rate, Water level, Accumulated flow, Flow velocity etc.
- Many varieties of units for options
- Multiple signal outputs

# ORDERING

EMDE-PF							Partial-Filled Pipe Electromagnetic Flowmeter
Diameter	XXX						Please see "The Technical Drawing Table" for code
Nominal Pressure		A					0,6 MPa
		B					1.0 MPa
		C					1.6 MPa
Connection Method			1				Flanged
Liner				A			Neoprene
				B			Polyurethane
Electrode Materials				A			AISI 316L
				B			Hastelloy B
				C			Hastelloy C
				D			Titanium
				E			Tantalum
				F			Stainless steel coated with tungsten carbide
Structure Form					1		Remote type
					2		Remote type Diving type
Power Supply						E	220 VAC 50 Hz
						G	24 VDC
						F	12 VDC
Output						A	Volume flow 4-20 mA/ pulse
						B	Volume flow 4-20 mA/ RS232C
						C	Volume flow 4-20 mA/ RS485C
						D	Volume flow HART protocol
Converter Form						A	Square