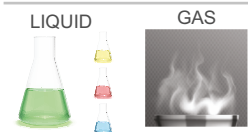


Pressure Transmitter

MPP



OVERVIEW

Operation

The MPP series Pressure Sensor has a one-piece machined PVDF,PVC body and ceramic diaphragm for superior compatibility in corrosive liquids. Three pressure versions allow for optimal resolution matched to your sensing needs.

Features

- Compact design
- High corrosion resistant
- Flush ceramic diaphragm
- Low cost
- Pressure or level measurement
- Simple installation

Application

- Chemical industry
- Supporting equipment of instruments
- Pressure laboratory
- Mechanical engineering automation

OPERATING DATA

Temperature Limit	-40...100°C
Ambient Limit	-25...85°C
Stability	0.15% of FS/year
Accuracy	±0.5% FS
Overpressure	FS x 2
Enclosure	IP67
Repeatability	0.05% FS
Units	Bar, MPa, PSI, kg/cm ²

MEASURING RANGES

Max Pressure Range	0-16 Bar
---------------------------	----------

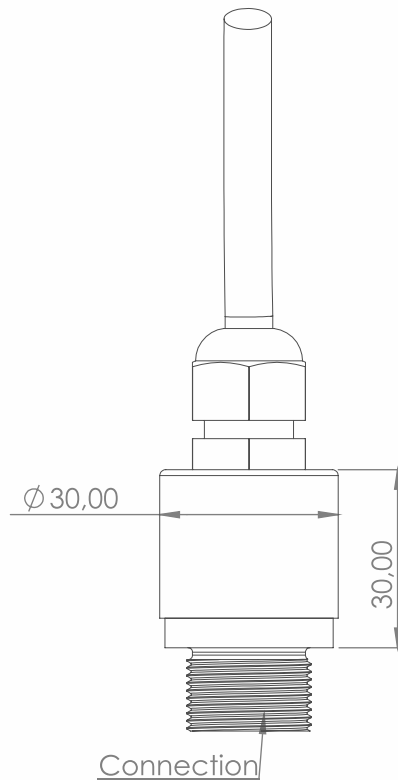
MATERIALS

Body	PVC, PTFE, PVDF
Diaphragm	AL ₂ O ₃ ceramic

CONNECTION

Thread	G or NPT 1/4", 1/2", 1"
---------------	-------------------------

TECHNICAL DRAWINGS AND DIMENSIONS



ELECTRICAL DATA

Power Supply	24 VDC
Output	4-20 mA two wire
	0-10 VDC
	0,5-4,5 VDC ratiometric

MEASURING RANGES

Code	Range	Code	Range	Code	Range
001	0...0,6 Bar	004	0...2,5 Bar	007	0...10 Bar
002	0...1 Bar	005	0...4 Bar	008	0...16 Bar
003	0...1,6 Bar	006	0...6 Bar	XXX	Special Ranges

ORDERING

MPP					Pressure Transmitter
Material	PV				PVC
	PF				PVDF
	PT				PTFE
Output		420			4-20 mA, two wire
		010			0-10 VDC
		545			0,5-4,5 VDC ratiometric
Measuring Range		XX			Please look at the "measuring range table" for code
Measuring Type			01		Relative
			02		Absolute
Connection			01		G 1/4" thread
			02		G 1/2" thread
			03		G 1" thread
			04		1/4" NPT thread
			05		1/2" NPT thread
			06		1" NPT thread
Cable			XX		Please specify in order as unit is meter